

AKKU-UMREIFUNGSGERÄT
OR-T 450



Heavy industry application
PP & PET / 16–19 mm

PACKAGE CONTENT

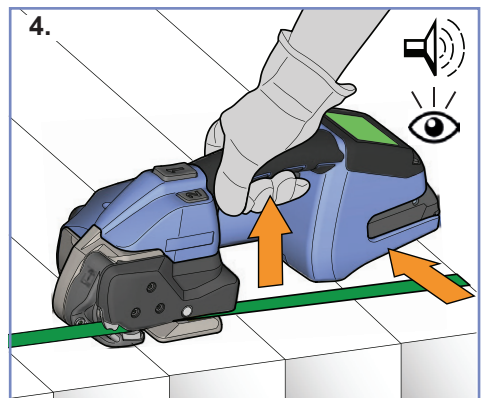
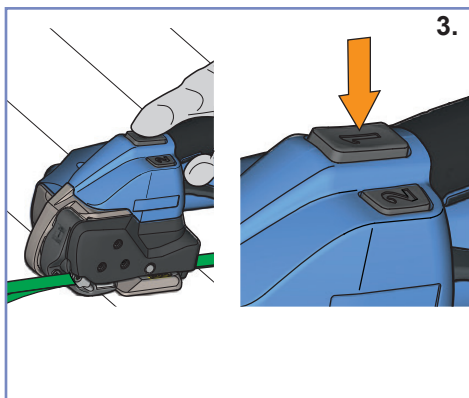
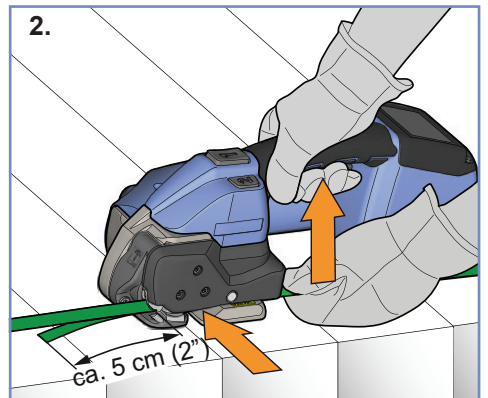
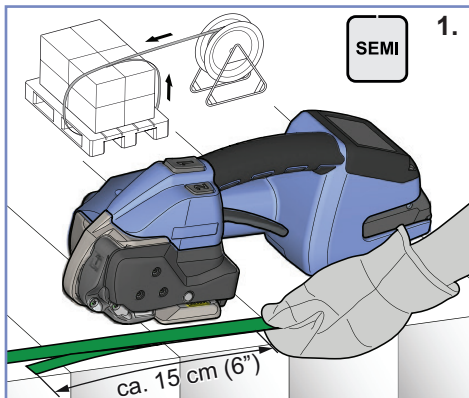


OPERATION

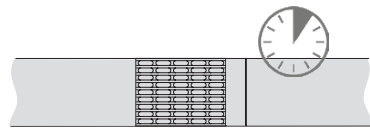
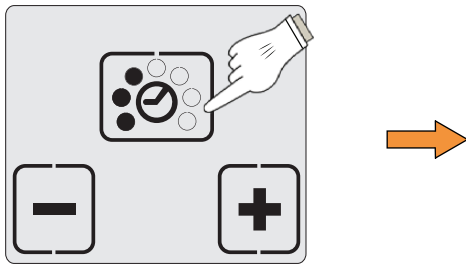
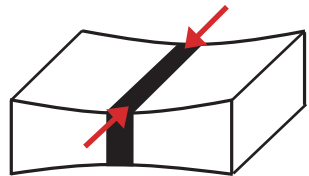
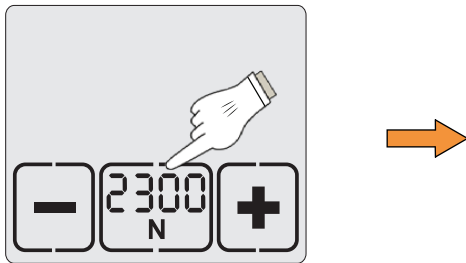
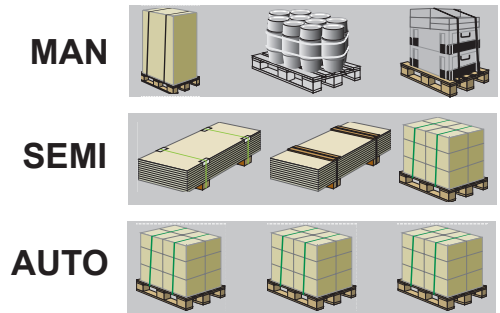
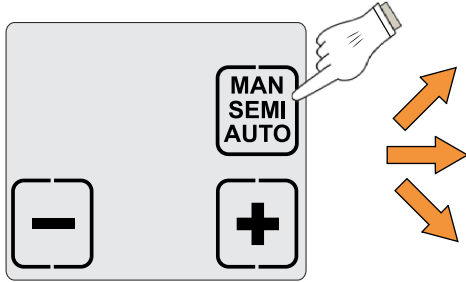
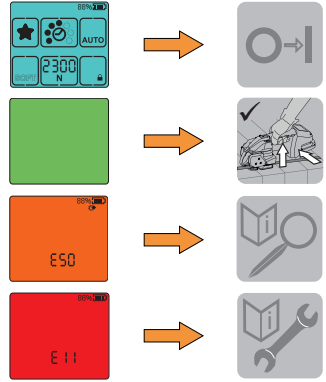
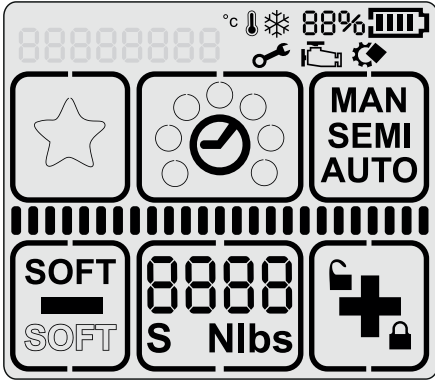




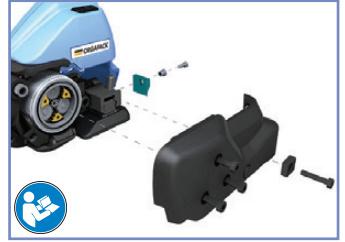

For safety regulations,
refer to operating
instructions!



USER INTERFACE



CLEANING/REPLACING WEAR PARTS



ACCESSORIES

